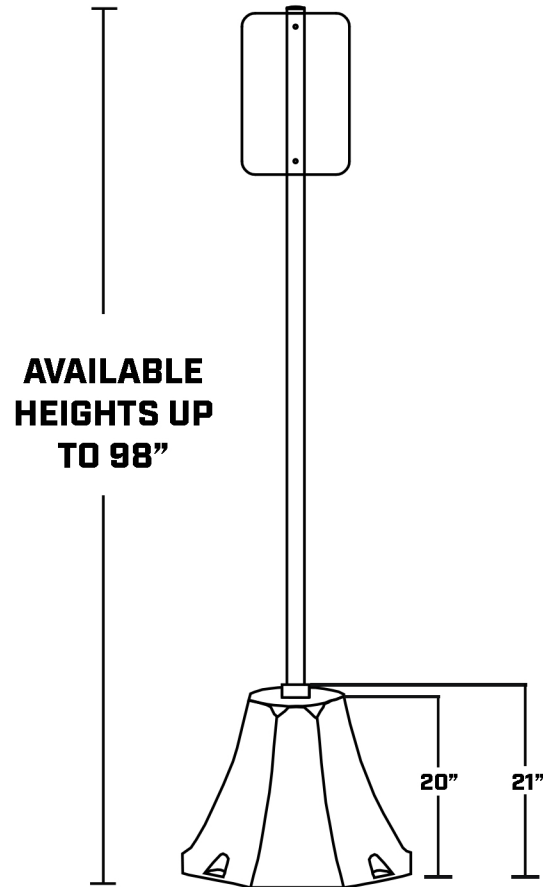
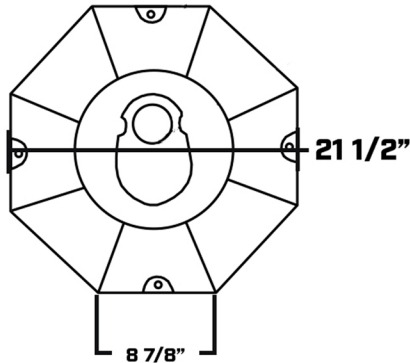


OCTAGON SIGN BASE SYSTEM



TOP VIEW



ADD ON

AVAILABLE UPON REQUEST



SIGN BRACKETS

Specifications:

Sign Base Material:

1/4" Nominal Wall Thickness
Low-Density Polyethylene Thermoplastic
With Ultra-Violet and Anti-Static Additives

Sign Base Dimensions:

22" H x 8" W each side

Weight:

45 lbs. with pole

Colors:

Standard Colors: DSHA Yellow, Blue or Red
Custom colors available

Height:

Standard Height is 98" without wheels

Installation:

Fill with concrete, sand or pea gravel

NO.	REVISIONS	DATE	APPROVED

PROJECT

CUSTOMER

DESCRIPTION
OCTAGON SIGN BASE

ORDER NO.	APPROVED BY	DATE
GCC		
PROJECT NO.		
FORM NO.		