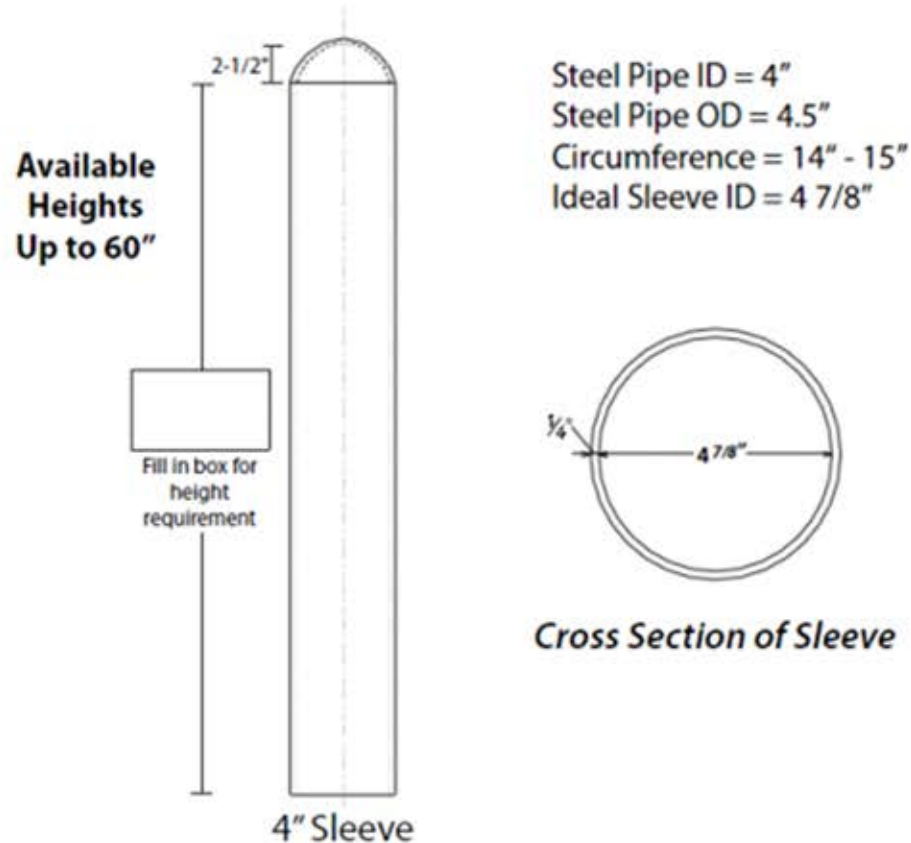


(1/4") 4" Bollard Cover Specification



Made of: 1/4" nominal wall thickness polyethylene plastic

Colors: Standard colors are yellow, red, blue, grey, white, black, green, orange and brown
Custom colors are available

Reflective Tape Colors: Red, yellow or silver

Installation: 2 pieces of patented installation included per bollard cover